

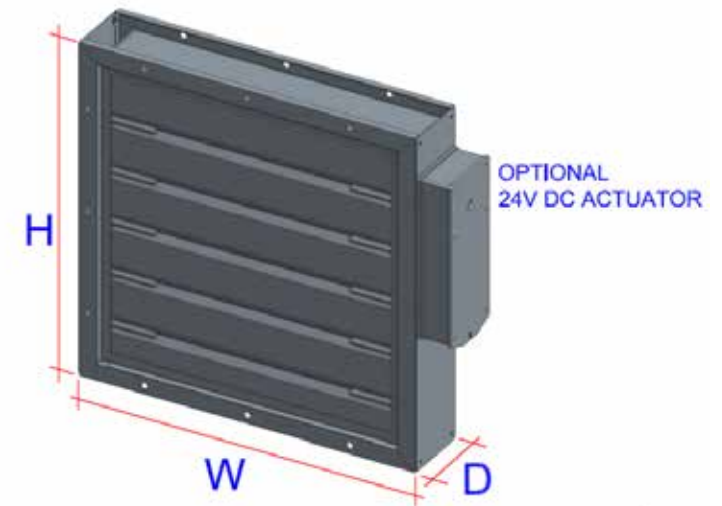


All Stainless Steel Air Dampers come standard with:

- Fabricated from 316 Stainless Steel
- Manual or automatic trigger
- 316 Stainless Steel fasteners
- Bolt hole pattern to match other Marine Air Flow products
- Installation kit complete with everything to fit up to your vessel.
- Supplied with a 3 year full replacement warranty.
- 11 Stock sizes ready to be picked off the shelf
- Easy installation and reset after testing
- Can be supplied singly or in conjunction with air intake grilles or our AC or DC Fans.
- Meets NSCV & USL code

Why Stainless Steel Air Dampers?

- Our air dampers can be in a stand alone situation or installed in conjunction with our intake grilles and duct work.
- They can be mounted rear of the grilles, within the duct, on the bulkhead penetration or any other penetration that serves air to the engine room.
- Can be supplied with a manual or auto trigger
- A 24V DC actuator can be added as a fully automated system.





MAFI Part Code	Height "H"	Width "W"	Depth "D"	KG	Cost
SSD-200/200/100	200mm	200mm	100mm	2.5kg	\$1080
SSD-200/730/100	200mm	730mm	100mm	5kg	\$1280
SSD-200/970/100	200mm	970mm	100mm	7kg	\$1380
SSD-280/280/100	280mm	280mm	100mm	3.5kg	\$1180
SSD-280/590/100	280mm	590mm	100mm	5kg	\$1380
SSD-390/390/100	390mm	390mm	100mm	4.5kg	\$1280
SSD-390/730/100	390mm	730mm	100mm	7kg	\$1680
SSD-390/1070/100	390mm	1070mm	100mm	9.5kg	\$2080
SSD-490/490/100	490mm	490mm	100mm	6.5kg	\$1475
SSD-590/590/100	590mm	590mm	100mm	8.5kg	\$1575
SSD-850/850/100	850mm	850mm	100mm	11kg	\$2500

NB: All export projects are quoted in USD