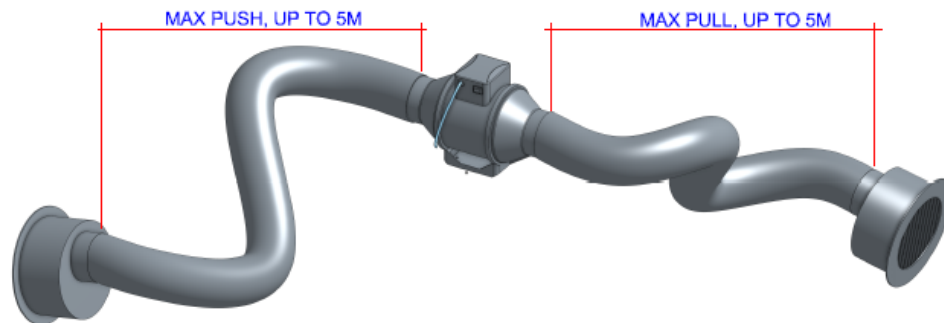


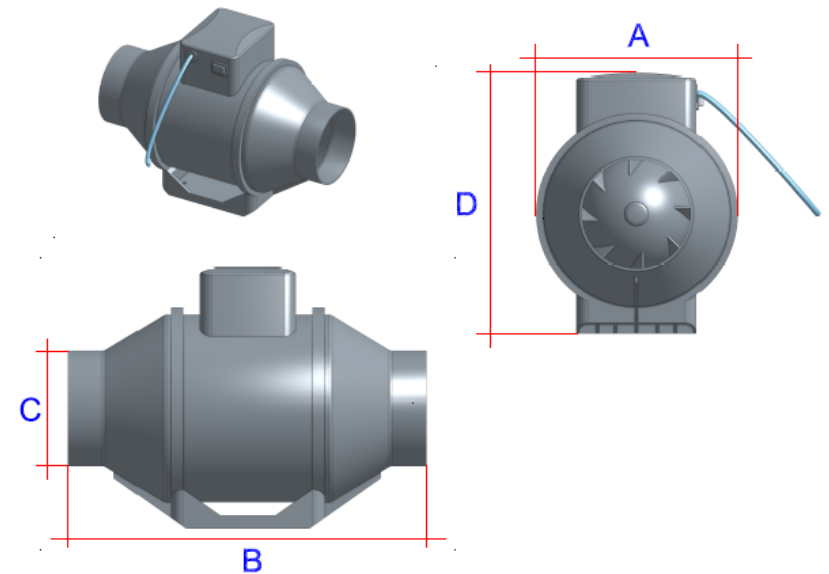


All mixed flow fans come standard with:

- High or low speed operation
- Corrosion resistant Fan housing
- Install kit complete with everything to fit up to your vessel
- 316 stainless steel fasteners
- Fans can be used in series (2 fans push/pull in line for long duct lengths)
- Supplied with a full replacement 3 year warranty



Flexiduct in 5 sizes is available for Mixed Flow Fans.





Mixed Flow Fans Spec Data Sheet

MAFI Part Code	A	B	C	D	Power	RPM	DB	Air Vol @ Low Ltr/ Sec	Air Vol @ High Ltre/ Sec	KG	Cost
FANAC-240V-MPF100	196mm	302.5mm	97mm	226mm	0.03KW	2620	35	32@60PA	50@60PA	1.5KG	\$200.00
FANAC-240V-MPF150	220mm	289mm	148mm	247mm	0.05KW	2620	44	100@60PA	145@60PA	3.3KG	\$250.00
FANAC-240V-MPF200	239mm	295.5mm	199mm	261mm	0.11KW	2380	49	200@60PA	250@60PA	6.5KG	\$350.00
FANAC-240V-MPF250	287mm	383mm	247mm	323mm	0.18KW	2440	52	250@60PA	350@60PA	7.5KG	\$450.00
FANAC-240V-MPF315	362mm	445mm	310mm	408mm	0.32KW	2430	56	390@60PA	530@60PA	8.5KG	\$600.00

NB: All export projects are quoted in USD