



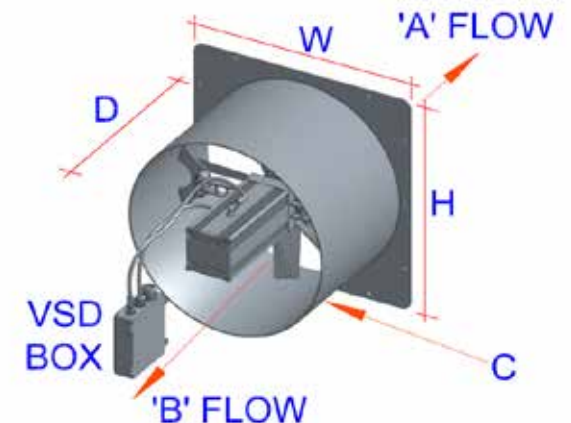
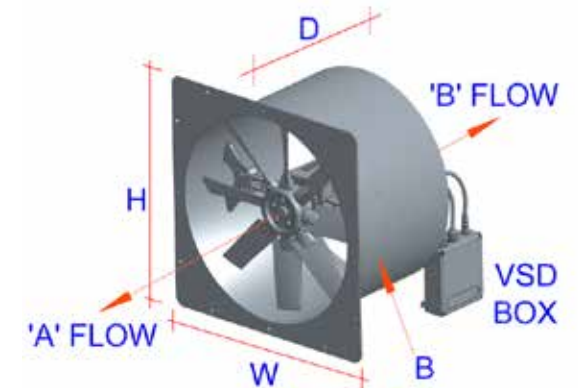
All DC High volume engine room fans come standard with:

- Aluminium (5083 grade) housing powder coated to your required colour
- Synthetic impeller with aluminium hub
- Sealed marinated motor
- DC Brushless Motor
- Built in VSD "Air on demand system" standard
- (Automatic fan speed controller driven directly from Engine room temperature)
- 316 stainless steel fasteners
- Bolt hole pattern to match other Marine air flow products
- Install kit complete with everything to fit up to your vessel
- Supplied with a full replacement 3 year warranty

Why Engine Room Fans?

- Cooler operating conditions which can lead to increased performance.
- Can extend the life of valuable plant and engine room components.
- Custom made to suit your requirements.
- Supplied with full installation kit and instructions.

Accessories such as finger guards and air diverters are available for both our AC and DC High Volume Fans





Spec Data Sheet

MAFI Part Code	Body (OD) "B"	Footprint "HxW"	Depth "D"	Volts	Amps @ idle	Amps @ full	RPM @ idle	RPM @ full	DB @ idle	DB @ full	Vol @ idle	Vol @ full	KG	Cost
FANDC/HV/MF/1/24V/390/325/6-6	340mm	390mm	300mm	24V	2.5A	20A	1430	2040	68	78	750	1110	9.5 KG	\$4,450.00
FANDC/HV/MF/1/24V/490/425/6-6	440mm	490mm	300mm	24V	4A	25A	1305	2180	74	87	1270	2105	10.5KG	\$4,600.00
FANDC/HV/MF/1/24V/590/525/6-6	540mm	590mm	400mm	24V	14A	55A	1620	2400	81	94	2400	3410	17KG	\$5,900.00

NB: All export projects are quoted in USD