






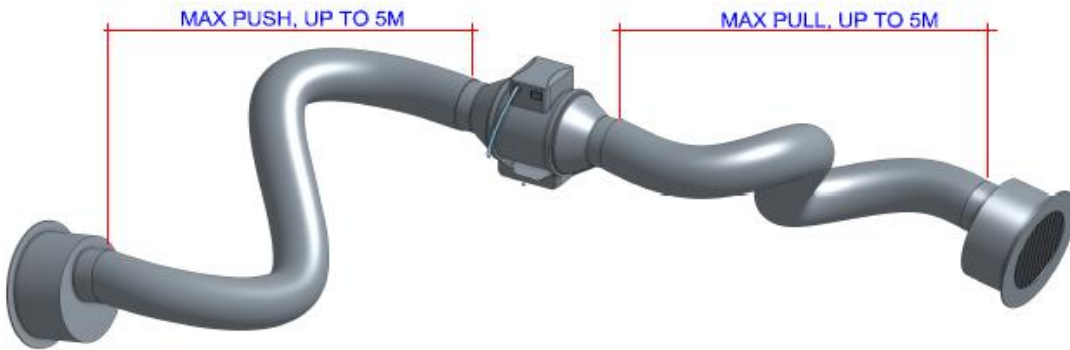
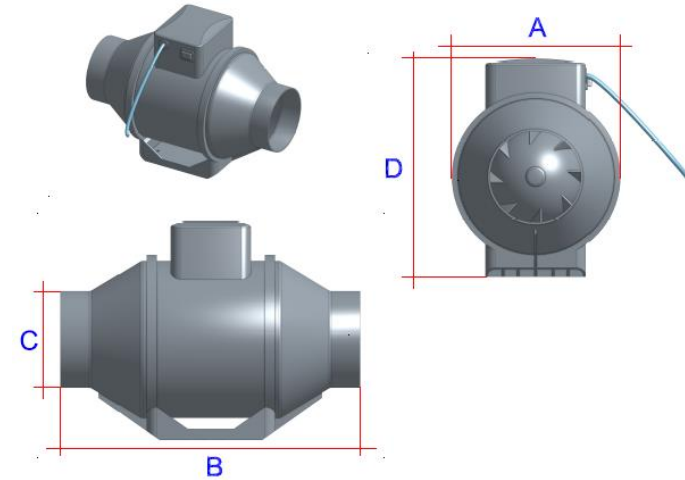


AC MFP MIXED FLOW FANS

All MFP mixed flow fans come standard with:

-  High or low speed operation
-  corrosion resistant Fan housing
-  Install kit complete with everything to fit up to your vessel
-  316 stainless steel fasteners
-  Fans can be used in series (2 fans push/pull in line for long duct lengths)
-  Supplied with a full replacement 2 year warranty
-  **Please note all export project are quoted in \$USD**



MARINE AIR FLOW PART CODE	A	B	C	D	POWER	RPM	DB	AIR VOLUME@ LOW SPEED L/PER SEC	AIR VOLUME@ HIGH SPEED L/PER SEC	KG	COST
FANAC-240V-MFP100	196mm	302.5mm	97mm	226mm	0.03KW	2620	35	32@60PA	50@60PA	1.5KG	\$200
FANAC-240V-MFP150	220mm	289mm	148mm	247mm	0.05KW	2620	44	100@60PA	145@60PA	3.3KG	\$250
FANAC-240V-MFP200	239mm	295.5mm	199mm	261mm	0.11KW	2380	49	200@60PA	250@60PA	6.5KG	\$350
FANAC-240V-MFP250	287mm	383mm	247mm	323mm	0.18KW	2440	52	250@60PA	350@60PA	7.5KG	\$450
FANAC-240V-MFP315	362mm	445mm	310mm	408mm	0.32KW	2430	56	390@60PA	530@60PA	8.5KG	\$600

ACCESSORIES FOR AC MFP MIXED FLOW FANS

Felix duct:

- 🌀 5 meters long
- 🌀 light and easy to install
- 🌀 can be cut to any length required
- 🌀 Please note all export project are quoted in \$USD



MARINE AIR FLOW PART CODE	Combatale with	KG	COST
FANAC/DC-MFP100/RL4IN/100-FLEX DCT-5m	FANAC-240V-MFP100	0.5KG	\$42
FANAC-MFP150-FLEX DCT-5m	FANAC-240V-MFP150	0.7KG	\$53
FANAC-MFP200-FLEX DCT-5m	FANAC-240V-MFP200	1KG	\$64
FANAC-MFP250-FLEX DCT-5m	FANAC-240V-MFP250	1.3KG	\$78
FANAC-MFP315-FLEX DCT-5m	FANAC-240V-MFP315	1.7KG	\$99

