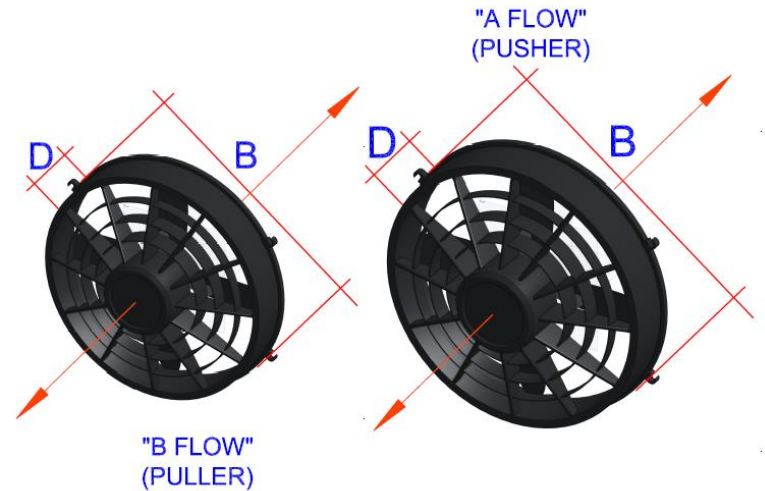


DC COMPACT MARINE VENTILATION FANS

All DC compact marine ventilation fans come standard with:

- 🌀 Sealed marinized motor
- 🌀 rated IP68
- 🌀 ignition protected
- 🌀 FRP body and blade (corrosion proof)
- 🌀 fully reversible
- 🌀 US Coast Guard approved
- 🌀 Install kit complete with everything to fit up to your vessel
- 🌀 316 stainless steel fasteners
- 🌀 Supplied with a full replacement 2 year warranty
- 🌀 Optional VSD “air on demand” system available
(Automatic fan speed controller driven directly from Engine room temperature)
- 🌀 **Please note all export project are quoted in \$USD**



🌀 (Please note all fans are set up standard as “B-flow” (Puller) and can be easily reversed by following the easy step via the link)

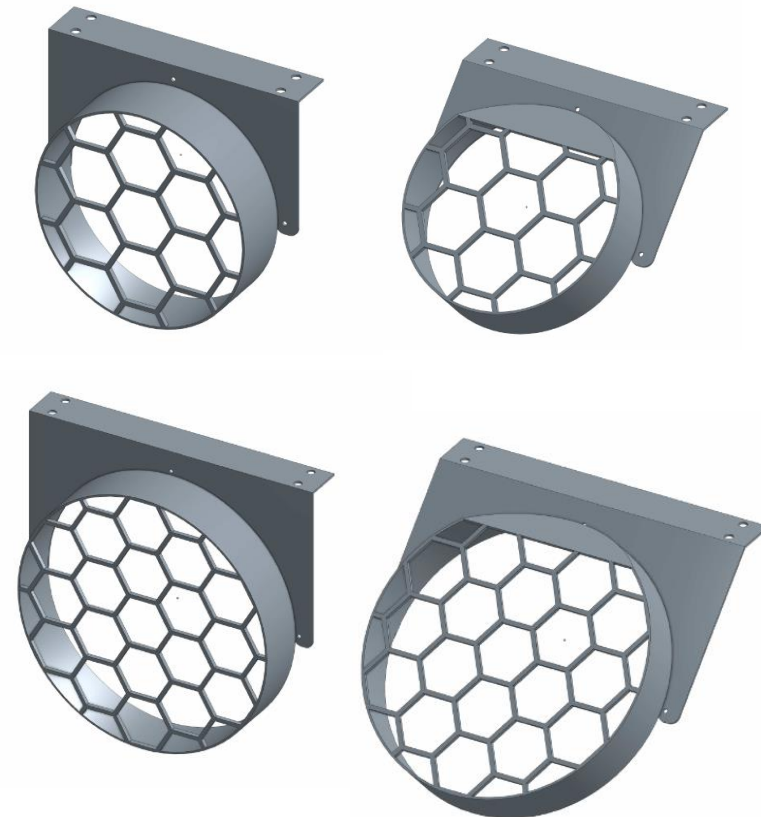
MARINE AIR FLOW PART CODE	BODY “B”	DEPTH “D”	MOUNTING PCD	VOLTS	AMPS FOR 12V	AMPS FOR 24V	DB	AIR VOLUME Litre per sec	KG	COST
Part code for 12V: FANDC-COMP-12V-9IN Part code for 24V: FANDC-COMP-24V-9IN	247mm	64mm	250mm	12V or 24V	8A	4A	71	200-250	1KG	\$250
Part code for 12V: FANDC-COMP-12V-12IN Part code for 24V: FANDC-COMP-24V-12IN	330mm	92mm	338mm	12V or 24V	19A	9A	80	650-700	2.5KG	\$500

ACCESSORIES FOR DC COMPACT MARINE VENTALTION FANS

45°+ 90° mounting brackets:

- 🌀 Manufactured from Aluminium (5083 grade)
- 🌀 Available in 9 and 12 inch
- 🌀 Powder coated to your required colour
- 🌀 316 stainless steel and nylon fasteners
- 🌀 Built in finger grad
- 🌀 Supplied with a full replacement 2 year warranty
- 🌀 Please note all export project are quoted in \$USD

MARINE AIR FLOW PART CODE	Combatable with	KG	COST
Part code for 90°: FANDC-MBFG-90DEG-9IN Part code for 45°: FANDC-MBFG-45DEG-9IN	FANDC-COMP-12V-9IN FANDC-COMP-24V-9IN	0.5kg	\$190
Part code for 90°: FANDC-MBFG-90DEG-12IN Part code for 45°: FANDC-MBFG-45DEG-12IN	FANDC-COMP-12V-12IN FANDC-COMP-24V-12IN	0.7kg	\$390



ACCESSORIES FOR DC COMPACT MARINE VENTILATION FANS

Three finned adjustable diverter:

- ⦿ Manufactured from Aluminium (5083 grade)
- ⦿ Powder coated stain black to suit the fan
- ⦿ Clip on style for easy adjusting and removing
- ⦿ Supplied with a full replacement 2 year warranty
- ⦿ Please note all export project are quoted in \$USD



MARINE AIR FLOW PART CODE	Compatible with	KG	COST
FANDC-COMP-DIV-ADJ	FANDC-COMP-12V-12IN FANDC-COMP-24V-12IN	1.5kg	\$300

